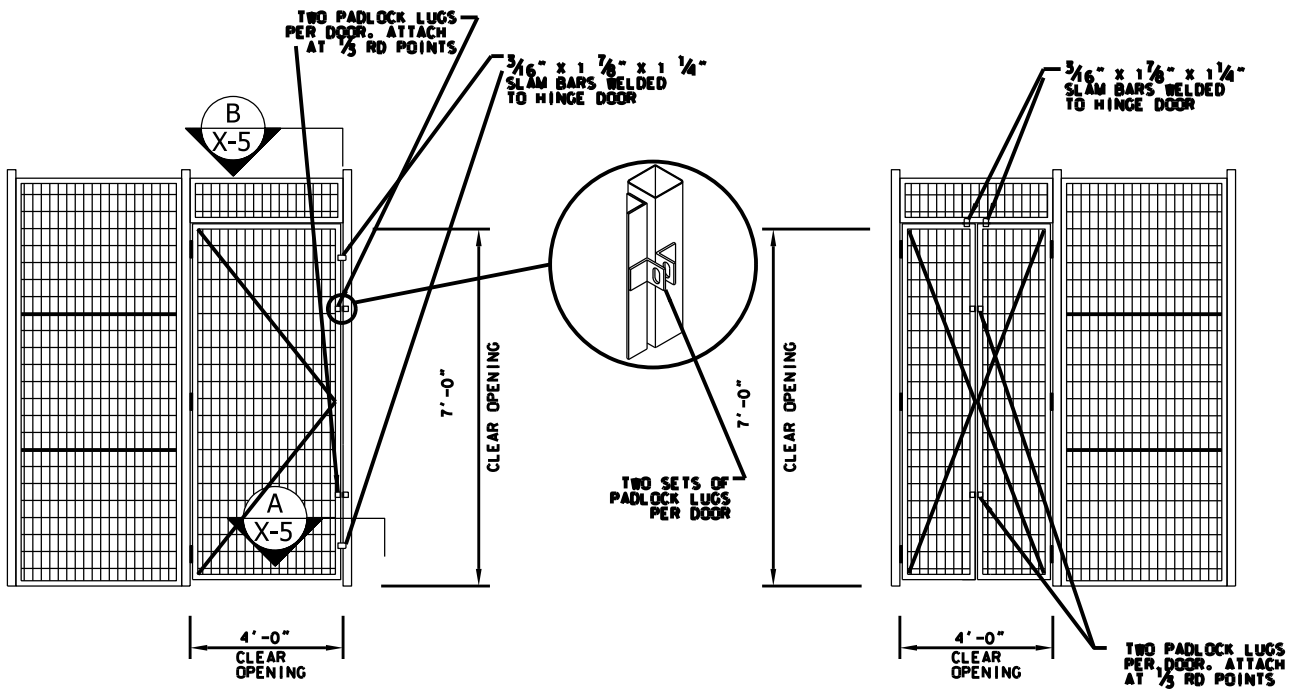


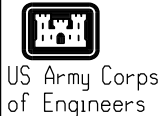
**TYP UNIT STORAGE ELEVATION** (A)  
NO SCALE



**ELEVATION** (B1)  
NO SCALE

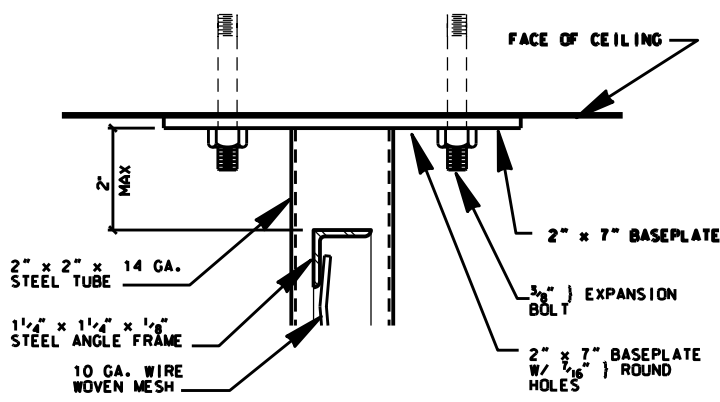
**ELEVATION** (B2)  
NO SCALE

Design By: DJA	Drawn By: DJA	Checked By: ESC
Reviewed By:		Approved By:
Date: REV. DEC. 2014	Scale: NO SCALE	Drawing Code:

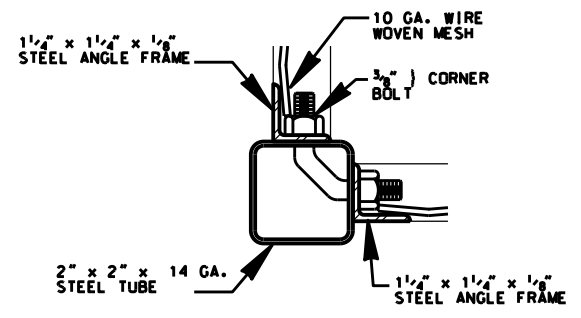


**UNIT STORAGE ELEVATIONS**

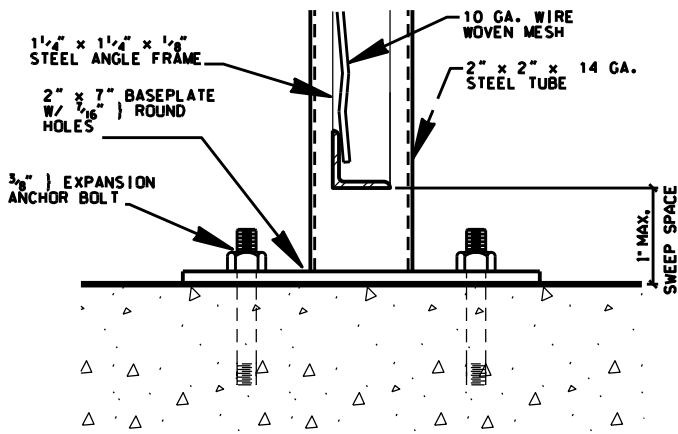
Sheet Ref. No. X-3	Sht <u>2</u> of <u>4</u>
-----------------------	--------------------------



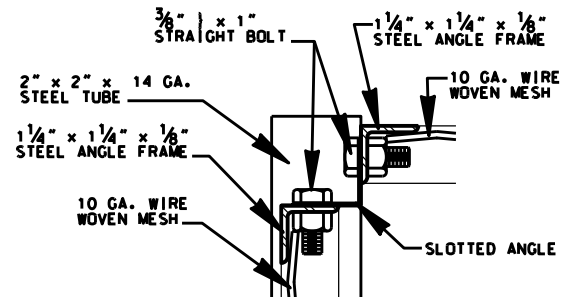
**CEILING DETAIL**



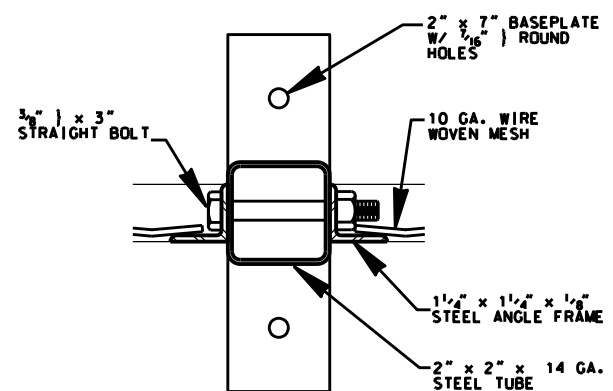
**CORNER CONDITION DETAIL**



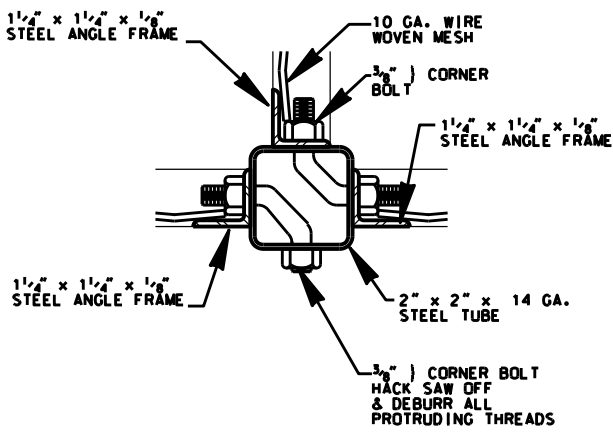
**BASE DETAIL**



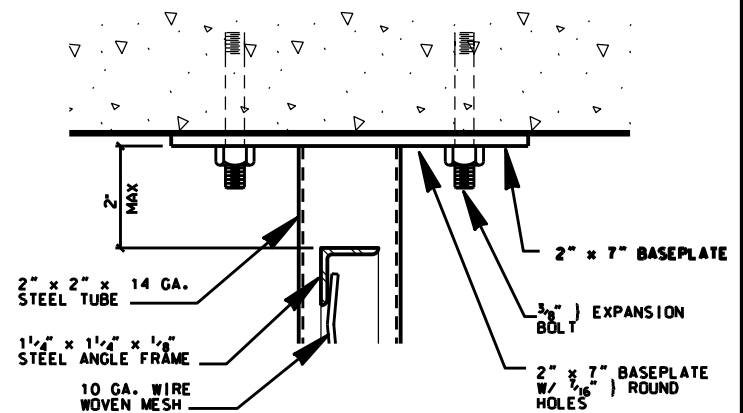
**CAGE CEILING DETAIL**



**POST CONDITION DETAIL**

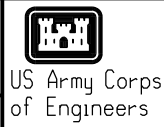


**TUBE CONDITION DETAIL**



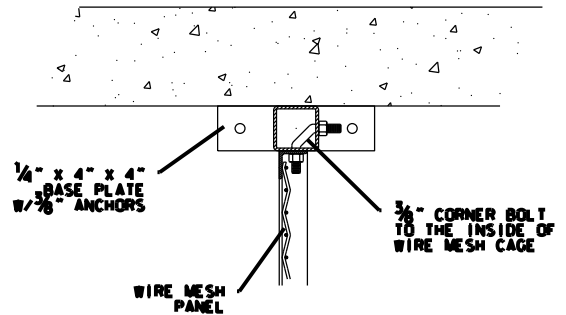
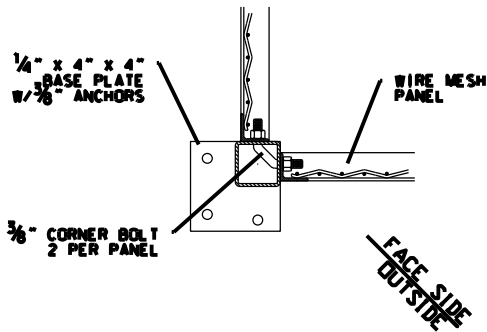
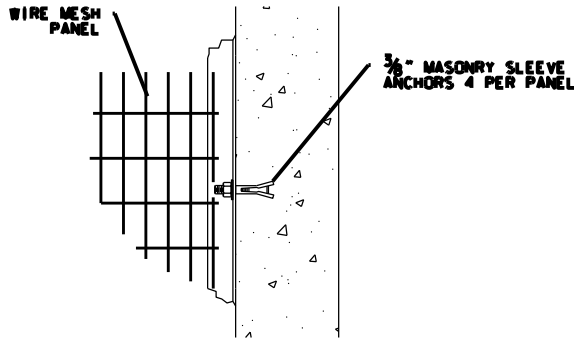
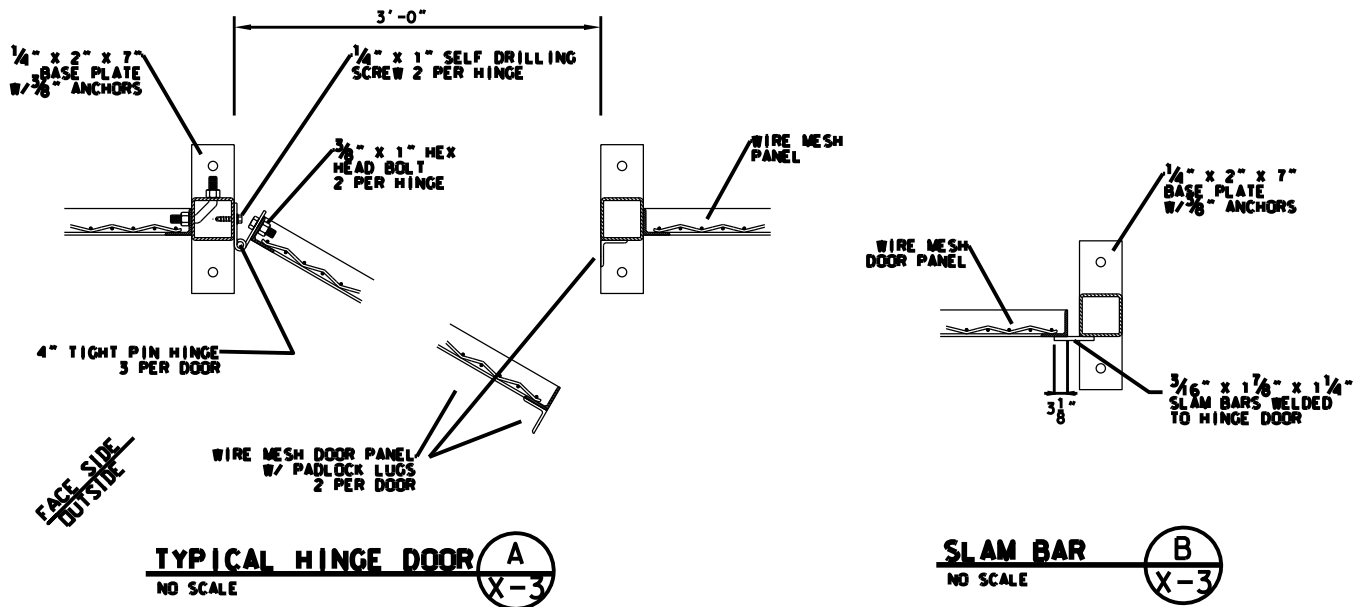
**WALL CONDITION DETAIL**

Design By: <b>DJA</b>	Drawn By: <b>DJA</b>	Checked By: <b>ESC</b>
Reviewed By:	Approved By:	
Date: <b>NOV. 2006</b>	Scale: <b>NO SCALE</b>	Drawing Code:

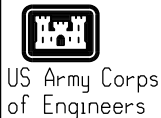


**TYPICAL CAGING DETAILS**

Sheet Ref. No. <b>X-4</b>	Sht <b>3</b> of <b>4</b>
------------------------------	--------------------------



Design By: **DJA**    Drawn By: **DJA**    Checked By: **ESC**  
Reviewed By:    Approved By:



# TYPICAL CAGING DETAILS

Date: **NOV. 2006**

Scale: **NO SCALE**

Drawing Code:

Sheet Ref. No. **X-5**

Sht **4** of **4**